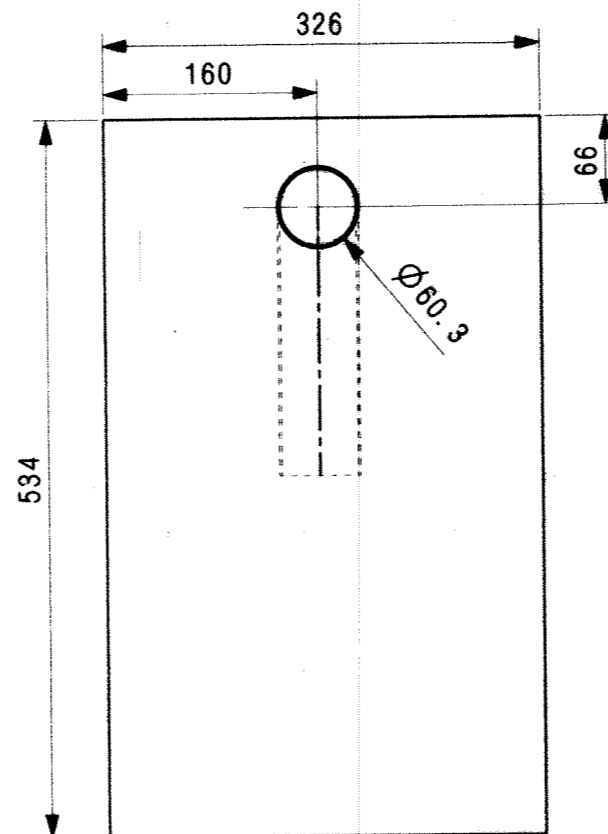
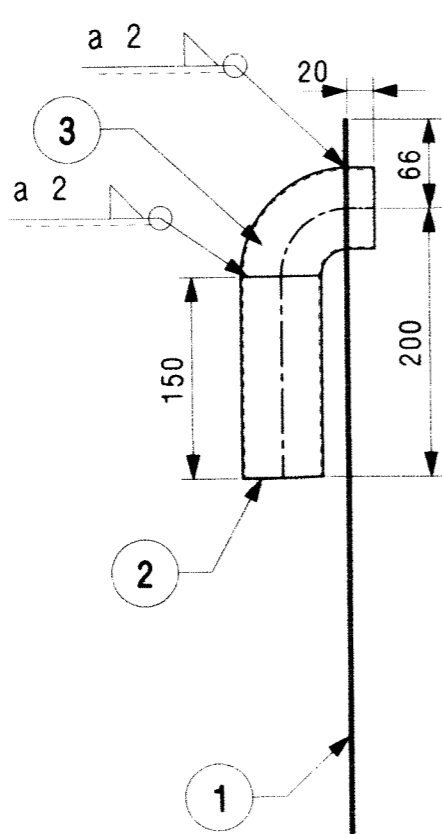


THIS DRAWING IS PROPERTY OF RDSO.
 THE COPYRIGHT, DESIGN RIGHT AND/OR OTHER INTELLECTUAL
 PROPERTY RIGHTS OF THIS DRAWING BELONGS TO THE RDSO ONLY.
 UNAUTHORISED REPRODUCTION, DISCLOSURE OR USE OF THIS DRAWING
 IS PROHIBITED.



3	ELBOW EQUAL 50	1			IS: 1289 PT. 2-2011 TAB-8, AISI-304	
2	PIPE OD ϕ 60.33 WALL THICKNESS 2.77 MM	1			ASTM-A312 AISI316L	L=150
1	SHEET 2X326X534	1			AISI316L	
ITEM	DESCRIPTION & DIMENSIONS	No. OF	REF. DRG.	WT. OF ONE kg	MTL. & SPEC.	REMARKS

SUPERSEDED BY:-		INDIAN RAILWAYS			
ASSEMBLY DRGS. SUPERSEDES:-		ICF/RCF TYPE COACHES			
REFERENCE :-	SCALE	P	Yam		
	1:5	C	Hogawar		
		D	Sivanta		
	J.S.	SS/61/14			
CDIC NO. :- K-503	B.G.	R.D.S.O. [CG]			CG-14068

1	SS/20 /16	DESCRIPTION OF ITEM NO. 2 CHANGE AND ITEM NO. 3 ADDED			
ALT.	ITEM AUTH.	DESCRIPTION	CKD.	DATE	

