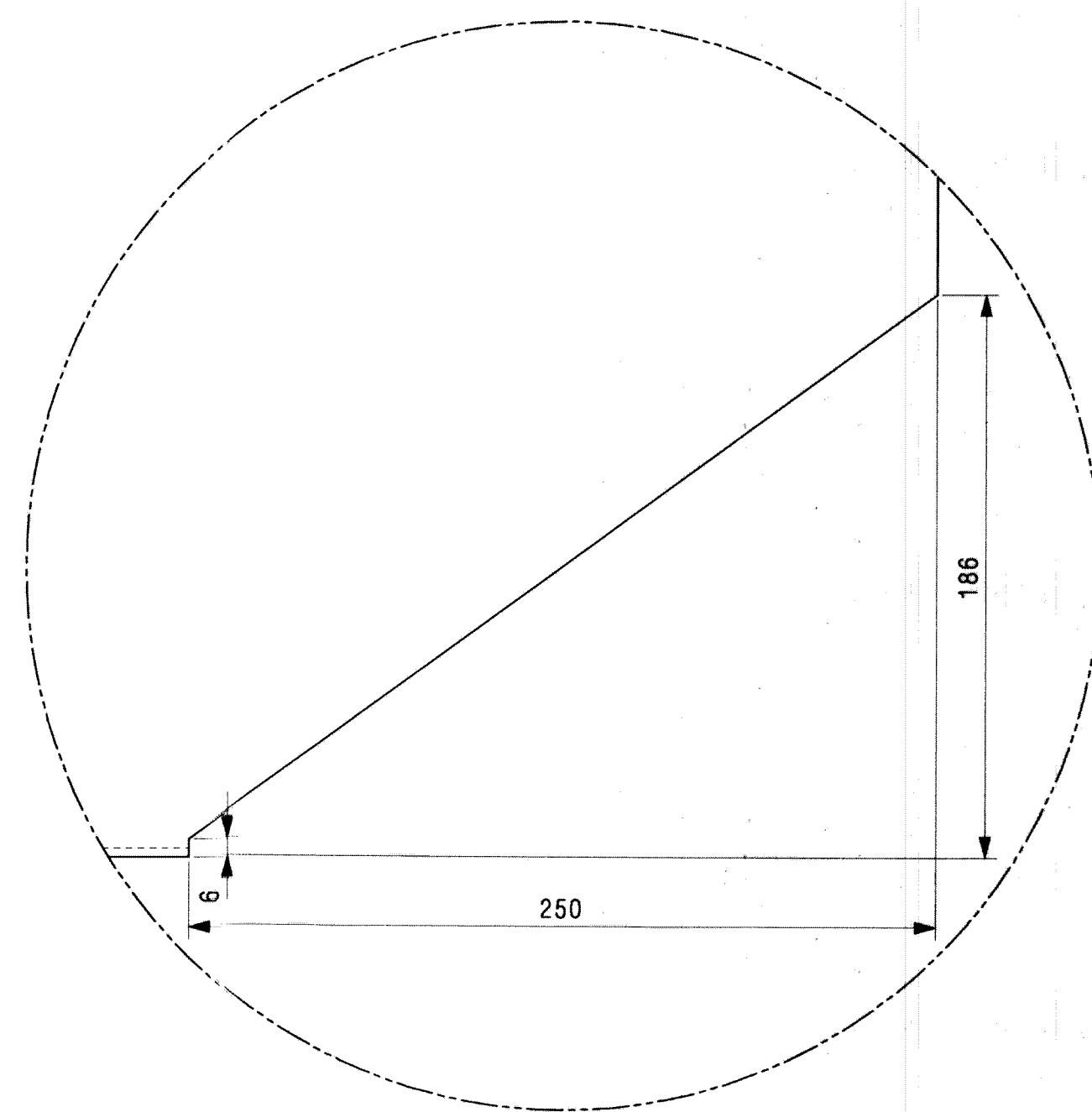
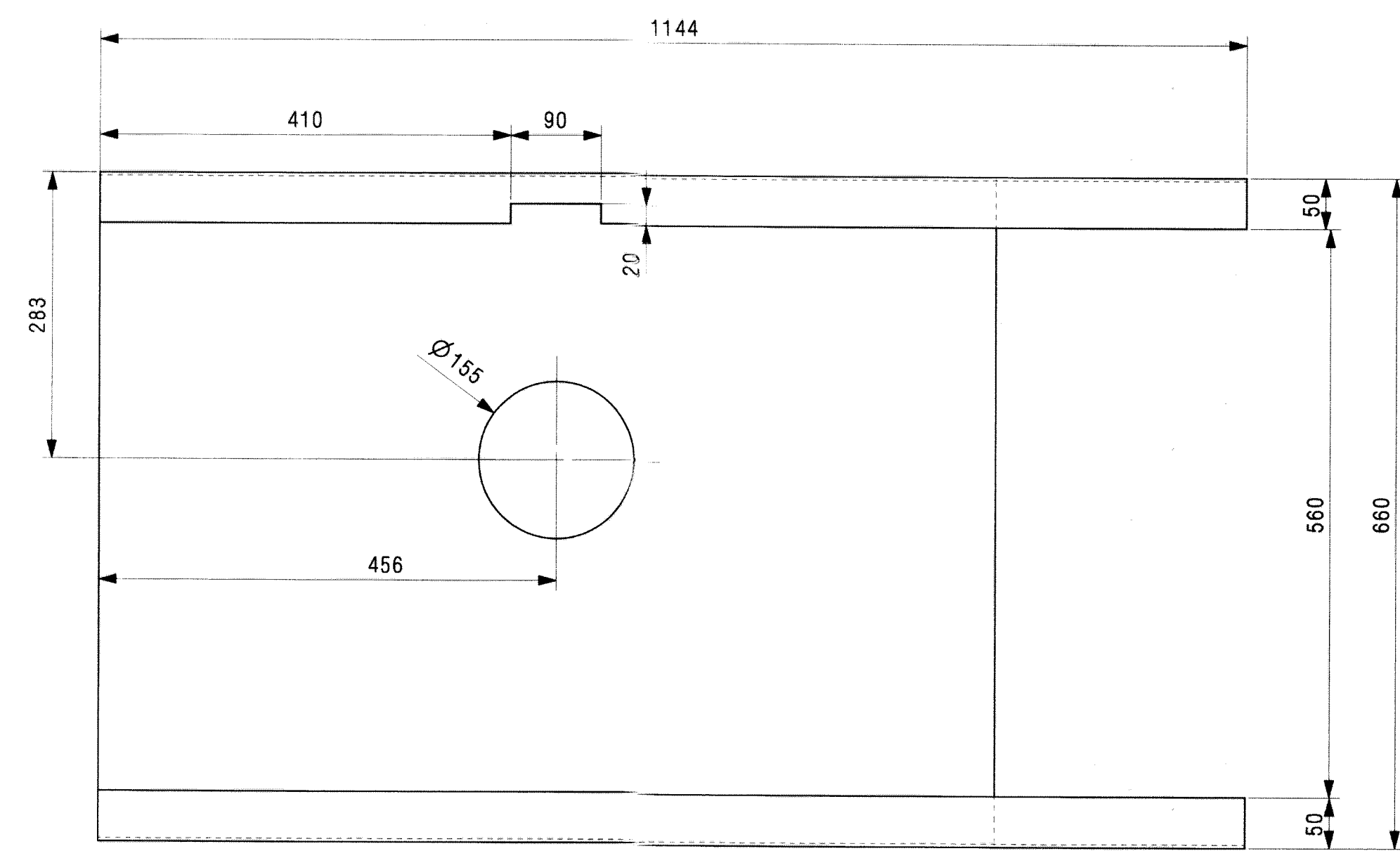
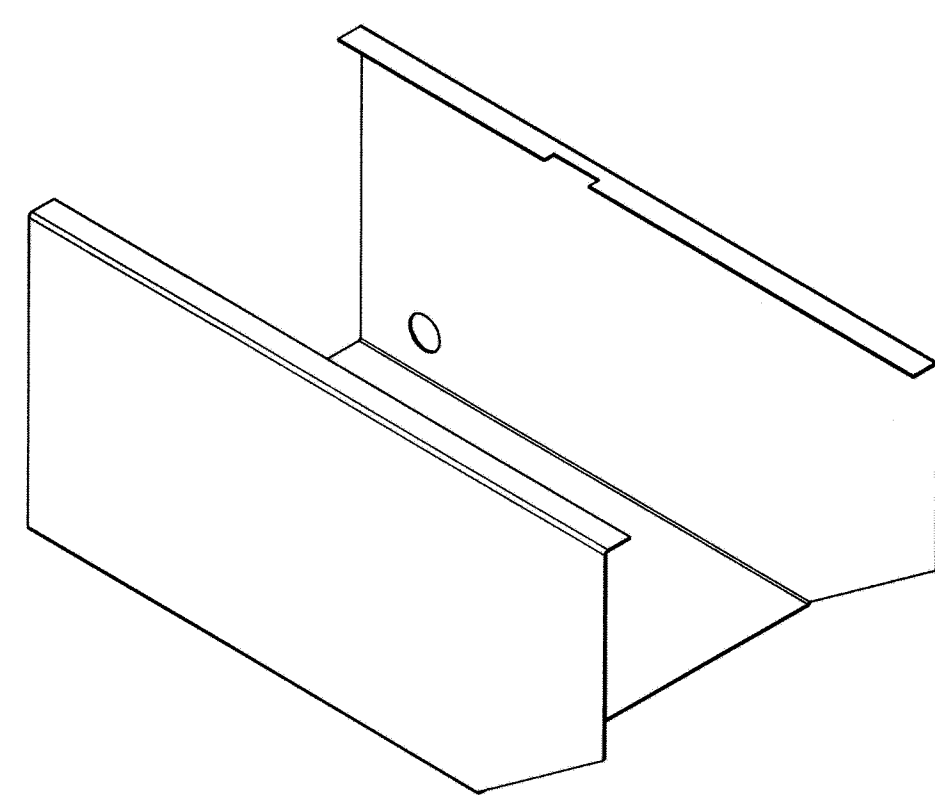
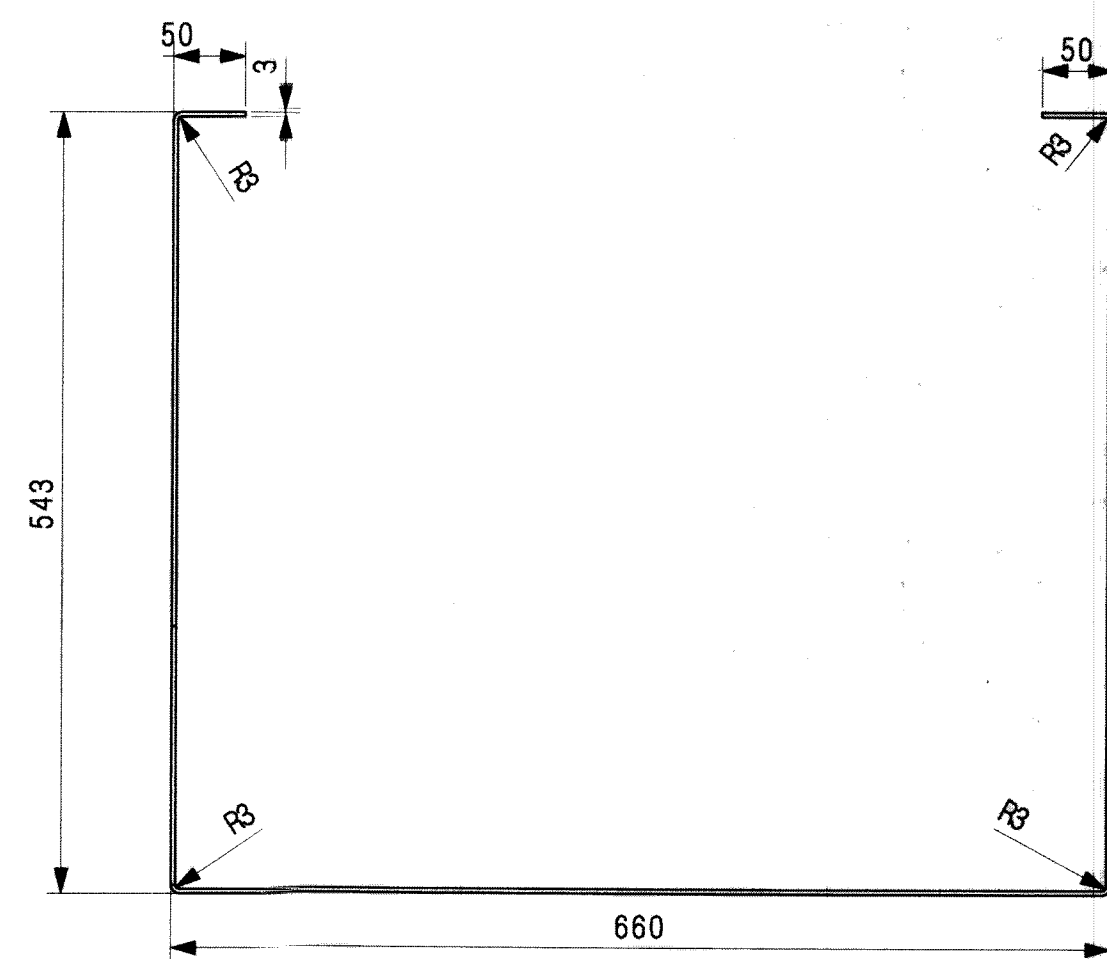
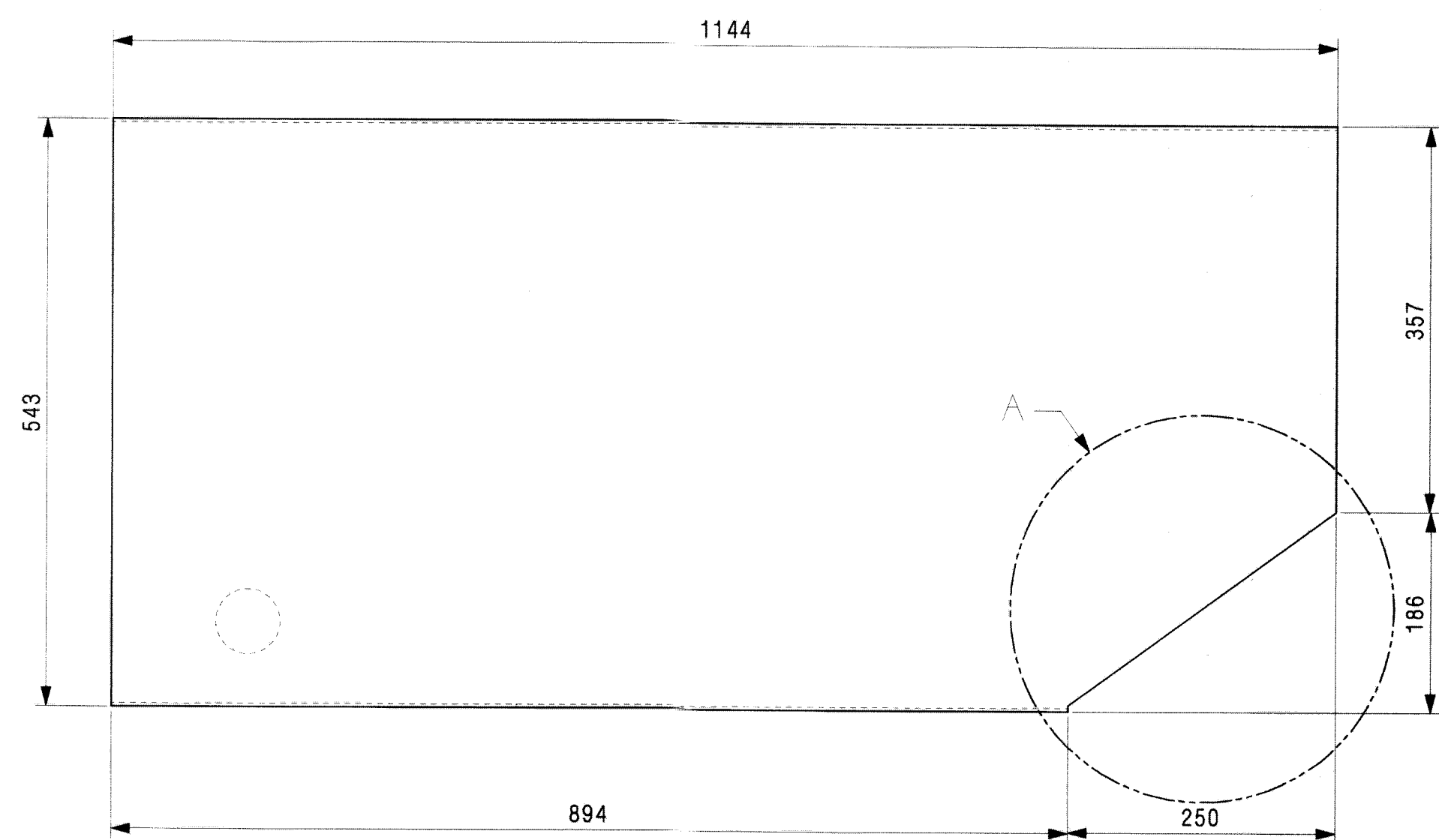


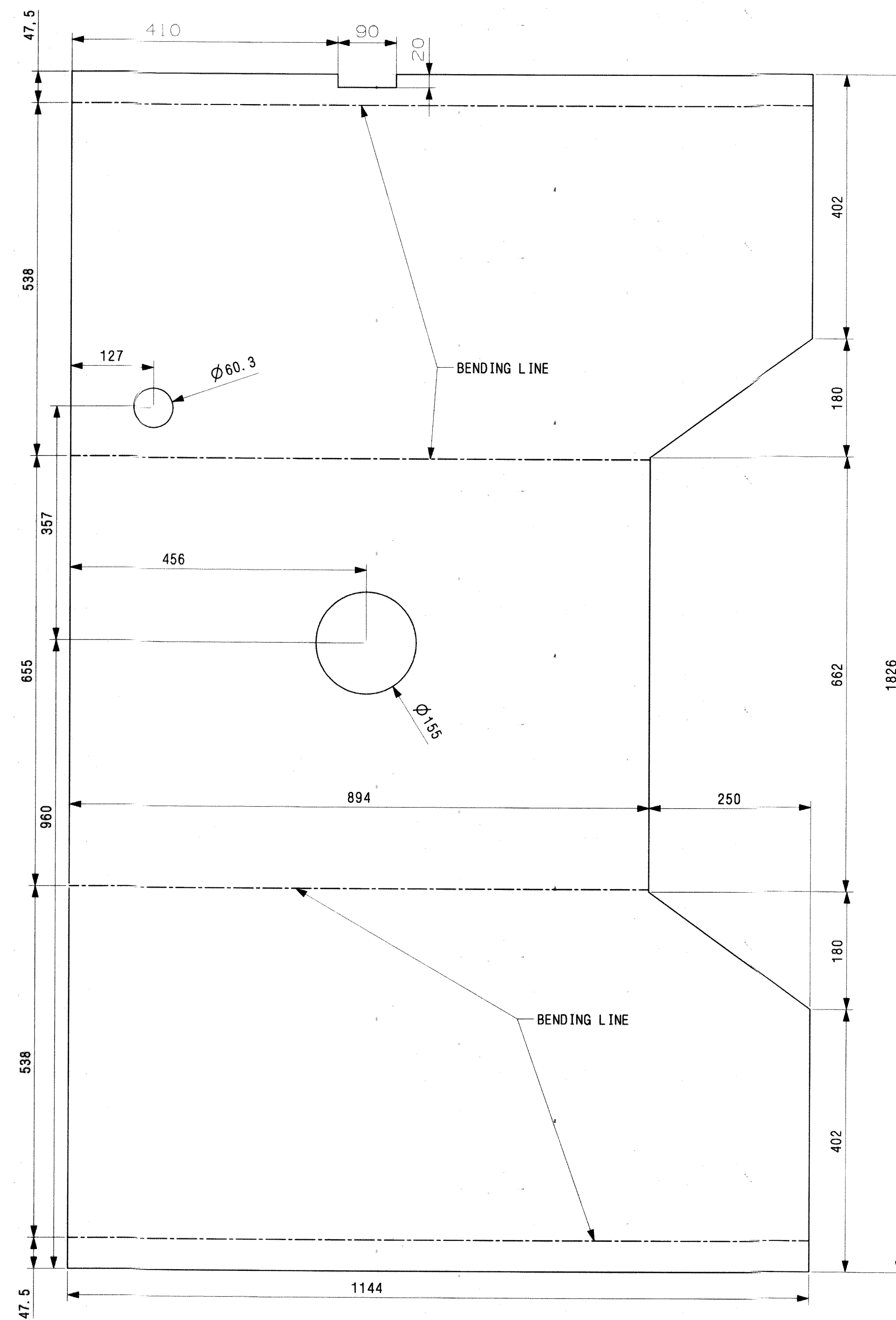
THIS DRAWING IS PROPERTY OF RDSO. THE COPYRIGHT DESIGN RIGHT AND/OR OTHER INTELLECTUAL PROPERTY RIGHTS OF THIS DRAWING BELONGS TO THE RDSO. ONLY UNAUTHORISED REPRODUCTION, DISCLOSURE OR USE OF THIS DRAWING IS PROHIBITED.



DETAIL A
SCALE 1:2



ISO VIEW
(FOR REFERENCE ONLY)



DEVELOPED VIEW

1	SHEET 3X1144X1826.5	1		AISI316L		
ITEM	DESCRIPTION & DIMENSIONS	No. OFF	REF. DRG.	VT. OF ONE kg	MTL. & SPEC.	REMARKS

SUPERSEDED BY:-

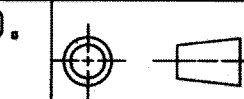
ASSEMBLY DRGS.	SUPERSEDES:-
REFERENCE :-	SCALE P
	1:5
	C
	D
	J.S. 55/73/16

INDIAN RAILWAYS
ICF/RCF TYPE COACHES

TANK PART-1

CDIC NO. :-
K-503

B.G. R.D.S.O. [CG]



CG-16057

ALT. ITEM	AUTHY.	DESCRIPTION	CKD.	DATE