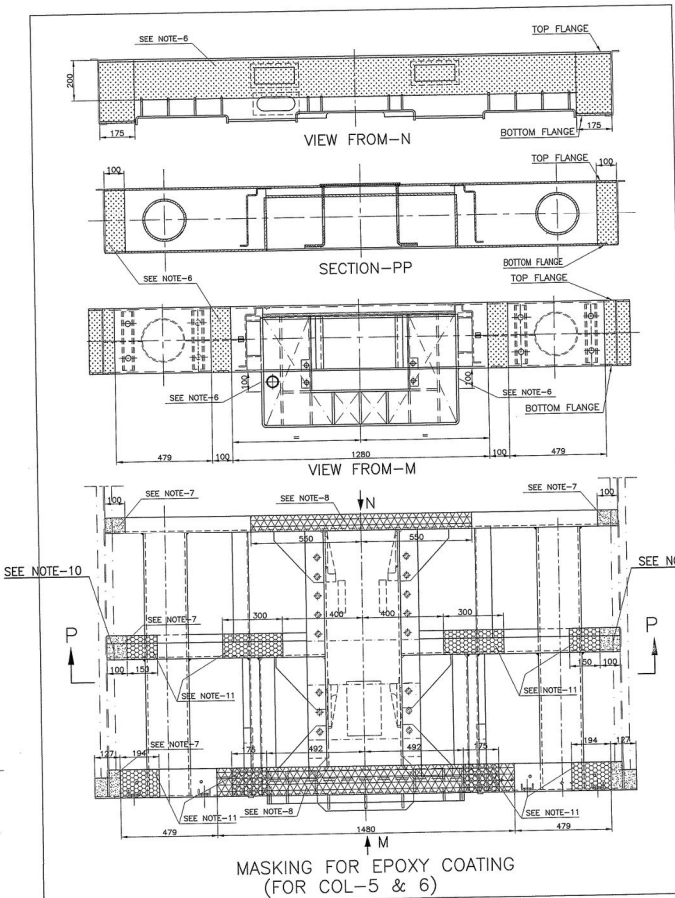
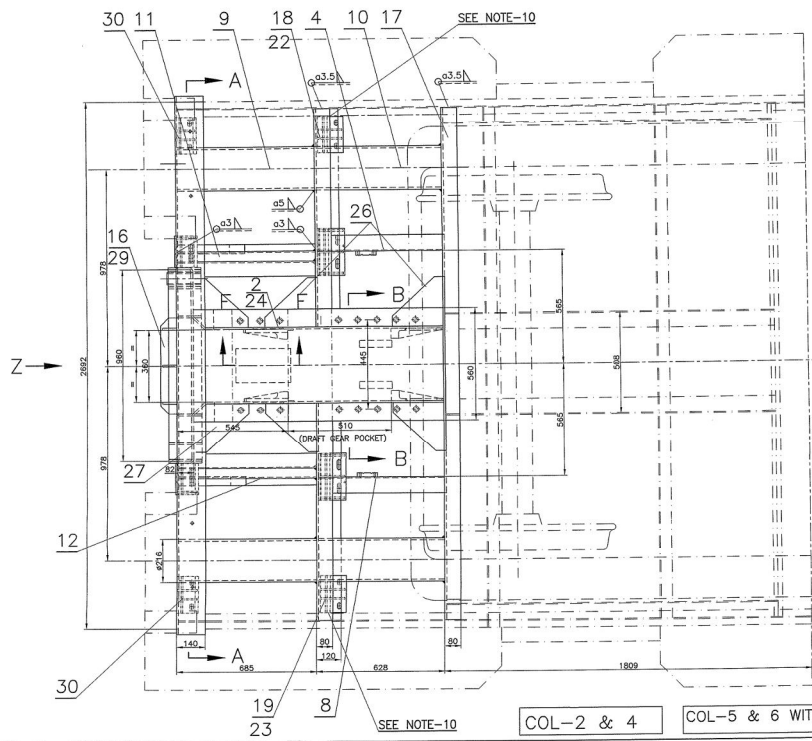
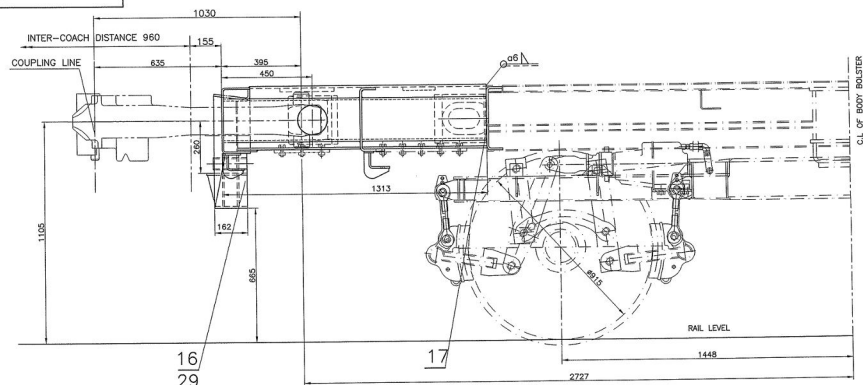
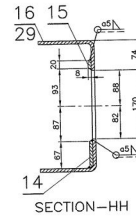
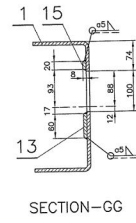
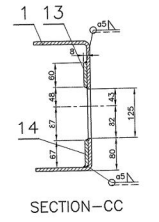


WGSCWAC8-1-2-801



ALTERATIONS	
✓	ROUGH MACHINED
◊	ROUGH CLEARING
∇	FINE MACHINED
∇	CHAMFERED
∇	FINE FINE MACHINED



QTY	DESCRIPTION & DIMENSION	ITEM	REF.DRGS	MAT.SPEC	WEIGHT/JUNIT	REMARKS
HEADSTOCK ARRGT. FOR CBC COUPLER						
INDIAN RAILWAY STANDARDS						

WGSCWAC/1-1-1-001	WGFACE-1-1-1-801	WGSCWAC8-1-1-801	ASSEMBLY DRAWINGS	16-12-2016	23-04-2003	1
10 Num. Att.	DATE OF LATEST AT	DATE OF FIRST ISSUE	AME/SME	291	DATA CODE NO.	
			INDIAN RAILWAY STANDARDS	SHEET 2 OF 3	WGSCWAC8-1-2-801	FORM-HR-ATA-1050X600