

FOR UNTOLERANCED DIMENSIONS REFER MDG0008

DATE OF FIRST ISSUE

20/03/1998

DETAIL DRGS STARTING WITH "L1" ARE INTERNAL REFERENCE LISTS ONLY AND ARE NOT FOR ISSUE.

INDIAN RAILWAYS STANDARD

RAIL COACH FACTORY, KAPURTHALA

FOR MIDDLE AND UPPER BERTH

FRAME

SCALE 1:5

DRG NO. SE61366

PL NO. NIL

DRG NO. SE61366

SCALE 1:5

DRG NO. SE61366

SCALE 1:5

DRG NO. SE61366

SCALE 1:5

DRG NO. SE61366

SCALE 1:5

DRG NO. SE61366

SCALE 1:5

DRG NO. SE61366

SCALE 1:5

DRG NO. SE61366

SCALE 1:5

DRG NO. SE61366

SCALE 1:5

DRG NO. SE61366

SCALE 1:5

DRG NO. SE61366

SCALE 1:5

DRG NO. SE61366

SCALE 1:5

DRG NO. SE61366

SCALE 1:5

DRG NO. SE61366

SCALE 1:5

DRG NO. SE61366

SCALE 1:5

DRG NO. SE61366

SCALE 1:5

DRG NO. SE61366

SCALE 1:5

DRG NO. SE61366

SCALE 1:5

DRG NO. SE61366

SCALE 1:5

DRG NO. SE61366

SCALE 1:5

DRG NO. SE61366

SCALE 1:5

DRG NO. SE61366

SCALE 1:5

DRG NO. SE61366

SCALE 1:5

DRG NO. SE61366

SCALE 1:5

DRG NO. SE61366

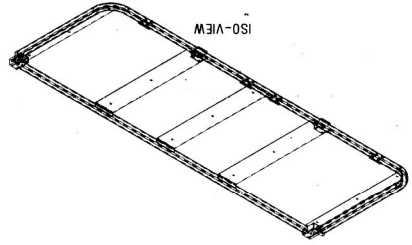
SCALE 1:5

DRG NO. SE61366

SCALE 1:5

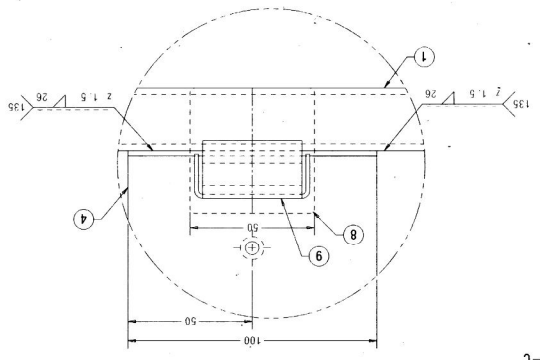
DRG NO. SE61366

SCALE 1:5

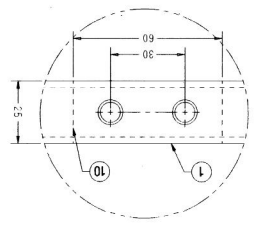


NOTE:
 1. FRAME ASSEMBLY TO BE PAINTED WITH ONE COAT OF RED OXIDE
 2. ALL WELDS SHOULD BE GROUND.
 3. ALL SHARP CORNERS SHOULD BE ROUNDED OFF.

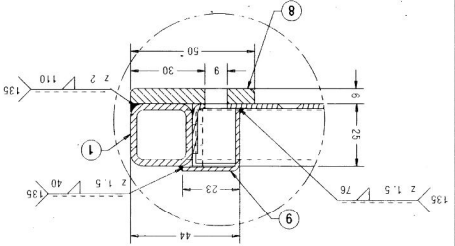
DETAIL AT - E
SCALE 1:1



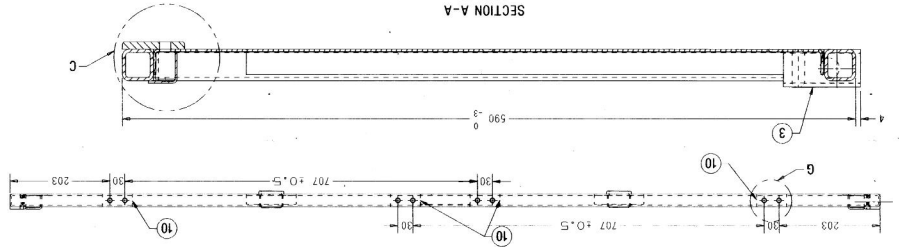
DETAIL AT - G
SCALE 1:1



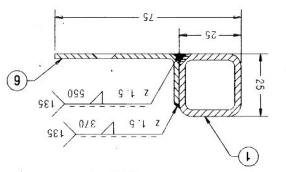
DETAIL AT - C
SCALE 1:1



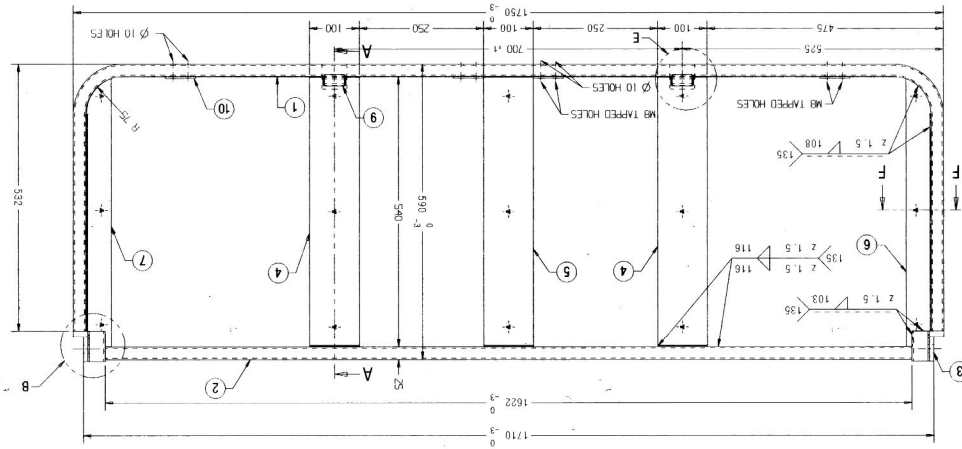
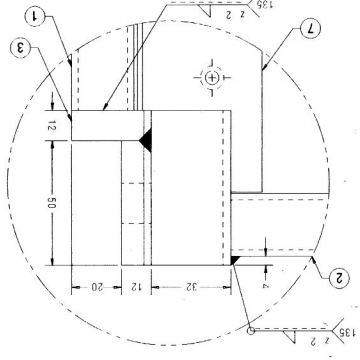
SECTION A-A
SCALE 1:2



SECTION F-F
SCALE 1:1



DETAIL AT - B
SCALE 1:1



AL.T. NO.	AL.T. DATE	ZONE	ALTERATIONS	AUTHORITY
1	23/03/2004	ALL	INDIVIDUAL DRAWINGS MADE FOR MDG00011	
2		ALL	ITEMS 4 TO 9 IN DRG. NOS. ADDED	
3		J14	& MATL. SPEC. DELETED.	
4		ALL	3. WEIGHT WAS 12.013 KGS.	
5		ALL	4. FOR ITEM 1 & 2, SPEC. YEAR AND	
6		ALL	SIZE OF SQ. TUBE WMS 19B5 AND	
7		ALL	25-1X25.4 RESPECTIVELY.	
8		ALL	5. DRG. MADE IN 3D. ISO-VIEW	
9		ALL	ADDED & ALL VIEWS UPDATED.	
10		ALL	6. M8 TAPPED HOLES PROVIDED IN	
11		ALL	ITEM-10.	
12		ALL	7. Ø 10 HOLES PROVIDED IN FRONT	
13		ALL	TAPPED HOLES IN ITEM-10.	