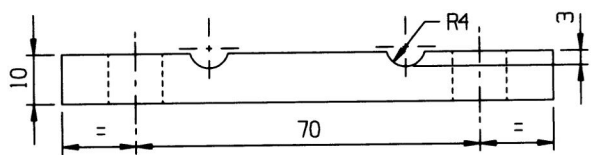
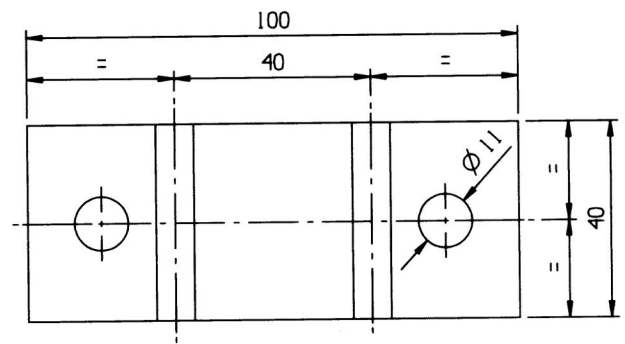


1	2	3	4	5	6	7	8	9	10	11	12	13
---	---	---	---	---	---	---	---	---	----	----	----	----

ALT.NO	ALT.DATE	ZONE	ALTERATIONS	AUTHORITY
NIL	NIL	NIL	NIL	NIL



**NOTE :-**  
# 1. EQUIV. TO AISI: 304 S1

Checked  
By  
Date

MAY

WELD LENGTH	WELD TYPE	DESCRIPTION & DIMENSIONS	SPALLT	DETAIL DRG	MATL. & SPEC.	REMARKS
NIL	M	LAVATORY & IT'S FITTINGS		ENHANCED: NIL		
WEIGHT	FILE	/users2/furnish/lvtry/cc63115.prt				
0.300	KG	SCALE: DBE/REC				
S.AREA	M <sup>2</sup>	1:1				
NIL	M <sup>2</sup>	DRG				
LENGTH / S-A	M	RAIL COACH FACTORY, KAPURTHALA				
0.100	M	REF. NO. 40570				
WIDTH / THICK	INDIAN RAILWAYS STANDARD				PL NO.00205400	
0.040/0.010	FROZEN				DRG.NO. CC63115	
HEIGHT	M	15/03/2001	22/04/01	15.01	NR	CSE
NIL	M				ALT. NIL	SIZE A3 SHEET 1/1

DETAIL DRGS STARTING WITH "LI" ARE INTERNAL REFERENCE LISTS ONLY AND ARE NOT FOR ISSUE.  
THIS IS A COMPUTER GENERATED DRAWING. ANY MANUAL ALTERATION SHALL AUTOMATICALLY RENDER IT INVALID.  
FOR UNTOLERANCED DIMENSIONS REFER MDG0008

1	2	3	4	5	6	7	8	9	10	11	12	13
---	---	---	---	---	---	---	---	---	----	----	----	----