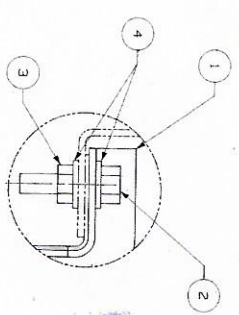
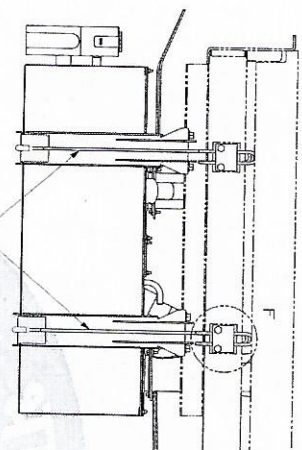
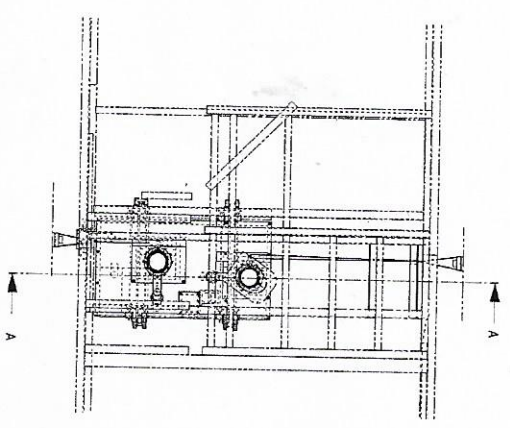
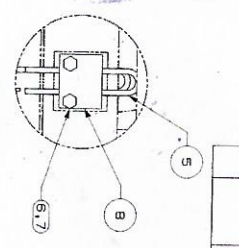


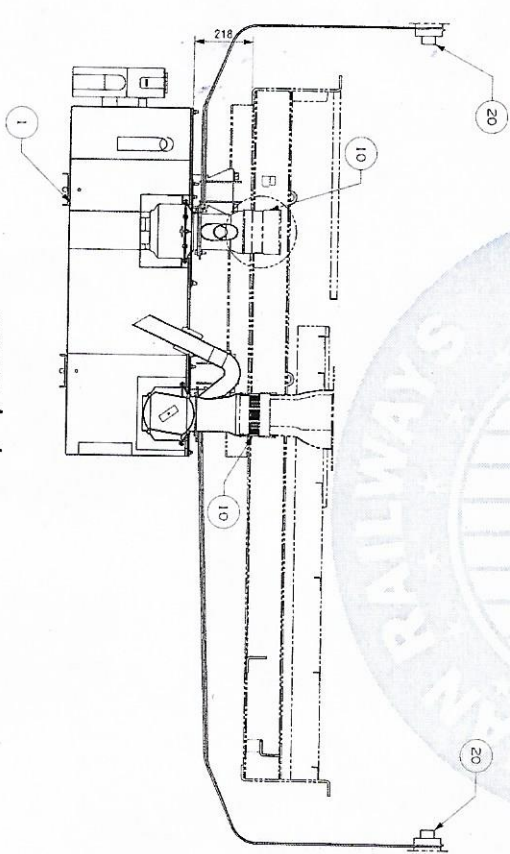
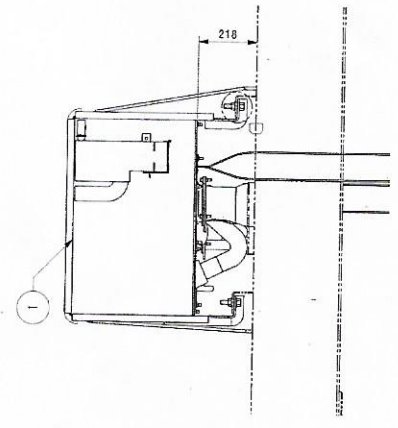
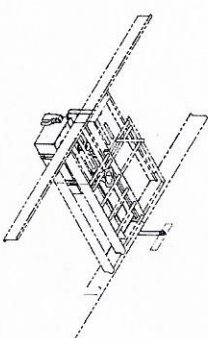
95



DETAIL D
SCALE 1:2



DETAIL F
SCALE 1:5



SECTION A-A

ITEM NO.	DESCRIPTION	QTY	UNIT	REMARKS
20	OPENING MECHANISM FOR PAUL	2	NIL	MFRS-41483
19	VALVE (COURT WIRE TYPE)	1	NIL	IS: 1002-1991
18	STAINLESS STEEL INLOC NUT M6 (A2-70 TO IS1387 PT-14)	1	NIL	IS: 1016-1987
17	STAINLESS STEEL MACHINE WASHER M6.4 (A2 TO IS1387 PT-14-19H)	1	NIL	IS: 2016-1987
16	STAINLESS STEEL HEX HEAD BOLT M6X15 (A2-70 TO IS1387 PT-14-9H)	1	NIL	IS: 1982-1987
15	SPRINGS	1	NIL	IS: 4464 PART-1
14	WASHER M6.4 (A2-70 TO IS1387 PT-14-9H)	2	NIL	IS: 1002-1991
13	STAINLESS STEEL MACHINE WASHER M6.4 (A2 TO IS1387 PT-14-19H)	2	NIL	IS: 2016-1987
12	STAINLESS STEEL HEX HEAD BOLT M6X15 (A2-70 TO IS1387 PT-14-9H)	2	NIL	IS: 1982-1987
11	OPENING MECHANISM (DISSOLVED)	1	NIL	AS-9-394
10	RUBBER CONNECTOR	2	NIL	NIL
9	CLAMP Ø 18MM	4	NIL	IS: 4782-84
8	PLATE	4	NIL	AS:1-304
7	HEX HEAD SCREW M10X25	8	NIL	IS: 1384 PT-2-82
6	SPRING WASHER B10	8	NIL	IS: 3053-1991
5	WIRE CABLE Ø 8MM X 7	2	NIL	IS: 3053-1991
4	SPRING WASHER B16	16	NIL	IS: 3053-1991
3	STAINLESS STEEL INLOC NUT M16 (A2-70 TO IS1387 PT-14)	8	NIL	IS: 1002-2005
2	STAINLESS STEEL HEX HEAD SCREW M16X60 (A2-70 TO IS1387 PT-14-9H)	8	NIL	IS: 1982-1987
1	DRIVE BIO-DIGESTER SYSTEM	1	NIL	ITEM-26

ITEM NO.	DESCRIPTION	QTY	UNIT	REMARKS
20	VALVE (COURT WIRE TYPE)	1	NIL	MFRS-41483
19	STAINLESS STEEL INLOC NUT M6 (A2-70 TO IS1387 PT-14)	1	NIL	IS: 1002-1991
18	STAINLESS STEEL MACHINE WASHER M6.4 (A2 TO IS1387 PT-14-19H)	1	NIL	IS: 2016-1987
17	STAINLESS STEEL HEX HEAD BOLT M6X15 (A2-70 TO IS1387 PT-14-9H)	1	NIL	IS: 1982-1987
16	SPRINGS	1	NIL	IS: 4464 PART-1
15	WASHER M6.4 (A2-70 TO IS1387 PT-14-9H)	2	NIL	IS: 1002-1991
14	STAINLESS STEEL MACHINE WASHER M6.4 (A2 TO IS1387 PT-14-19H)	2	NIL	IS: 2016-1987
13	STAINLESS STEEL HEX HEAD BOLT M6X15 (A2-70 TO IS1387 PT-14-9H)	2	NIL	IS: 1982-1987
12	OPENING MECHANISM (DISSOLVED)	1	NIL	AS-9-394
11	RUBBER CONNECTOR	2	NIL	NIL
10	CLAMP Ø 18MM	4	NIL	IS: 4782-84
9	PLATE	4	NIL	AS:1-304
8	HEX HEAD SCREW M10X25	8	NIL	IS: 1384 PT-2-82
7	SPRING WASHER B10	8	NIL	IS: 3053-1991
6	WIRE CABLE Ø 8MM X 7	2	NIL	IS: 3053-1991
5	SPRING WASHER B16	16	NIL	IS: 3053-1991
4	STAINLESS STEEL INLOC NUT M16 (A2-70 TO IS1387 PT-14)	8	NIL	IS: 1002-2005
3	STAINLESS STEEL HEX HEAD SCREW M16X60 (A2-70 TO IS1387 PT-14-9H)	8	NIL	IS: 1982-1987
2	DRIVE BIO-DIGESTER SYSTEM	1	NIL	ITEM-26

VAL ALTERATION SHALL AUTOMATICALLY RENDER THIS DRAWING INVALID.
 DIMENSIONS REFER TO MOGD008
 DETAIL DROS STARTING WITH "L.I." ARE INTERNAL REFERENCE LISTS ONLY AND ARE NOT FOR ISSUE.
 DA FIRST ISSUE 11/11/2013
 CM BY
 SYSTEM IN CONV. DSIR
 MOUNTING OF DRIVE BIO-DIGESTER
 RAJ COACH FACTORY, KADAPATHALA
 IRIS
 PL NO. NIL
 DRG. NO. M/006102
 02 JAN 2015
 APPROVED
 CHECKED
 DRAWN
 DATE