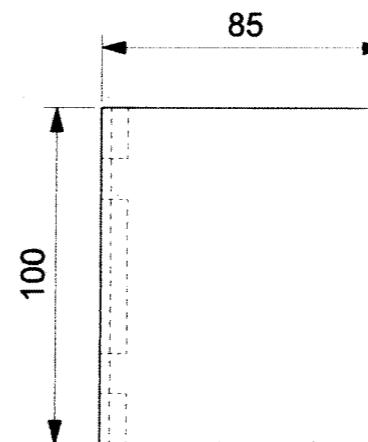
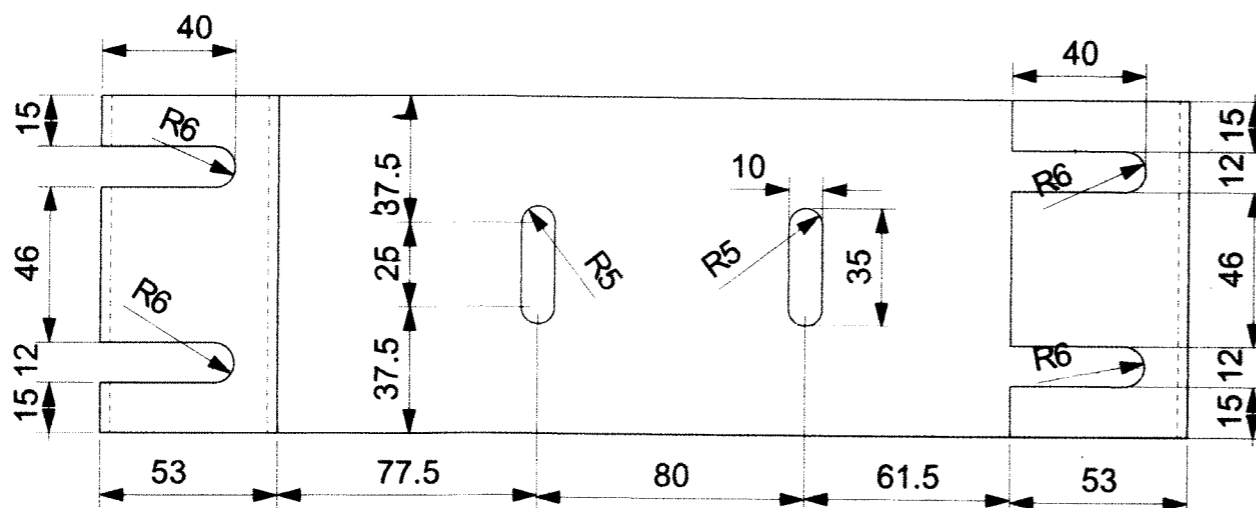


ISO VIEW  
(FOR REFERENCE ONLY)



SHEET 3X100X545				AISI-316L	
ITEM	DESCRIPTION & DIMENSIONS	NO. OFF.	REF. DRG.	WT. OF ONE kg	MTL. & SPEC. REMARKS

SUPERSEDED BY:-		INDIAN RAILWAYS			
SUPERSEDES:-		ICF/RCF TYPE COACHES			
REFERENCE :-	SCALE	P	N. J. S.		
		C	S. S. 38/16		
		D			
		J.S.	SS/38/16		
CDIC NO. :- k-503		B.G.	R.D.S.O. [CG]	CG-16011	

ALT.	ITEM	AUTH.	DESCRIPTION	CKD.	DATE